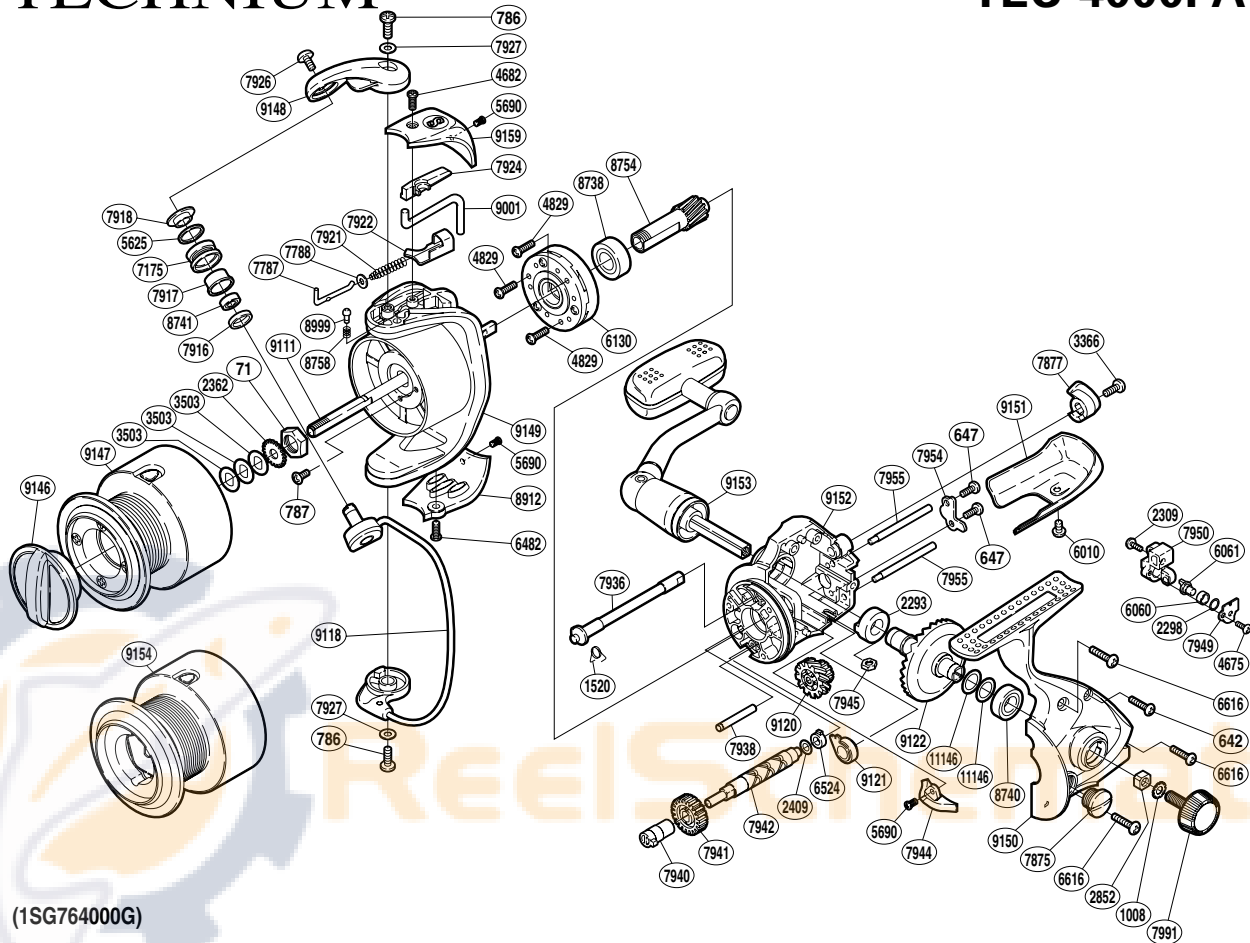


SHIMANO

TECHNIUM

TEC-4000FA



Part No.	Description	Part No.	Description	Part No.	Description
RD 0071	Rotor Nut	RD 6616	Side Cover Screw (A)	RD 7991	Handle Screw Cap
RD 0642	Side Cover Screw (B)	RD 7175	Line Roller	RD 8738	Ball Bearing
RD 0647	Worm Shaft Retainer Screw	RD 7787	Bail Spring Guide (A)	RD 8740	Ball Bearing
RD 0786	Screw	RD 7788	Spring Guide (A) Support	RD 8741	Ball Bearing
RD 0787	Nut Lock Screw	RD 7875	Oil Cap	RD 8754	Pinion Gear
RD 1008	Handle Lock Washer	RD 7877	Anti-Reverse Lever	RD 8758	Click Spring
RD 1520	Anti-Reverse Cam Spring	RD 7916	Bearing Spacer	RD 8912	Bail Hold Support Guard
RD 2293	Drive Gear Bushing	RD 7917	Line Roller Bushing	RD 8999	Click Pin
RD 2298	Spacer	RD 7918	Line Roller Washer	RD 9001	Bail Trip Lever
RD 2309	Slider Retainer Screw	RD 7921	Bail Spring	RD 9111	Main Shaft
RD 2362	Spool Support	RD 7922	Bail Spring Seat	RD 9118	Bail Assembly
RD 2409	Worm Shaft Spacer	RD 7924	Bail Trip Cover	RD 9120	Idle Gear (B)
RD 2852	Handle Screw Lock	RD 7926	Line Roller Screw	RD 9121	Bushing
RD 3366	Anti-Reverse Lever Screw	RD 7927	Adjusting Washer	RD 9122	Drive Gear
RD 3503	Spool Washer	RD 7936	Anti-Reverse Cam	RD 9146	Drag Knob
RD 4675	Oscillating Pawl Cover Screw	RD 7938	Idle Gear (B) Shaft	RD 9147	Spool Assembly
RD 4829	Roller Clutch Screw	RD 7940	Worm Bushing (front)	RD 9148	Bail Arm
RD 5625	Line Roller Spacer	RD 7941	Idle Gear	RD 9149	Rotor
RD 5690	Screw	RD 7942	Worm Shaft	RD 9150	Side Cover
RD 6010	Rear Protector Screw	RD 7944	Bail Trip Strike	RD 9151	Rear Protector
RD 6060	Oscillating Slider Bushing	RD 7945	Rear Protector Nut	RD 9152	Body
RD 6061	Oscillating Pawl	RD 7949	Oscillating Pawl Cover	RD 9153	Handle Assembly
RD 6130	Roller Clutch Assembly	RD 7950	Oscillating Slider	RD 9154	Spare Spool Assembly
RD 6482	Protector Screw (A)	RD 7954	Worm Shaft Retainer	RD 9159	Bail Spring Cover
RD 6524	Worm Bushing (rear)	RD 7955	Oscillating Guide	RD11146	Washer